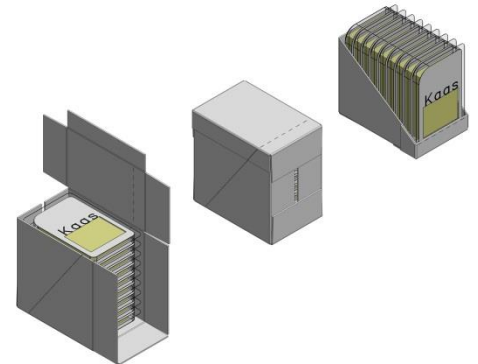


Actueel in aanbouw - fabriek Culemborg -

Customer	: Wafer producer
Machine	: RTI 80 Intermitting Cartonning machine with collating and infeed system
Product	: Frozen wafers in flowpacks
Style of case construction	: sideload, folding boxboard
Capacity	: 60 p/m
Controls	: Sigmatek
Sightseeing	: week 43



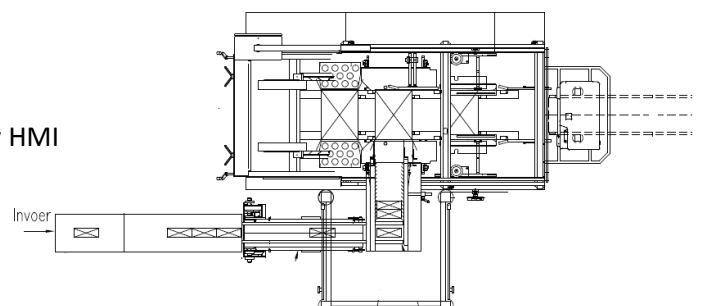
Customer	: Cheese producer
Machine	: CP III Wrap Around casepacker with collating, stacking unit and infeed system
Product	: Thermoformed tray, semi hard, printed top
Style of case construction	: Wrap Around
Capacity	: 90 p/m
Controls	: Sigmatek
Sightseeing	: Week 44



Customer	: Fresh fisch packer
Machine	: CP III with collating, on edge with racetrack, and infeed with servo gantry (earlier machines also have mixing unit)
Product	: Thermoformed tray, semi hard, printed top
Style of case construction	: Wrap Around, Tray, SRP stacktray
Capacity	: 140 p/m
Controls	: Sigmatek
Sightseeing	: Week 45



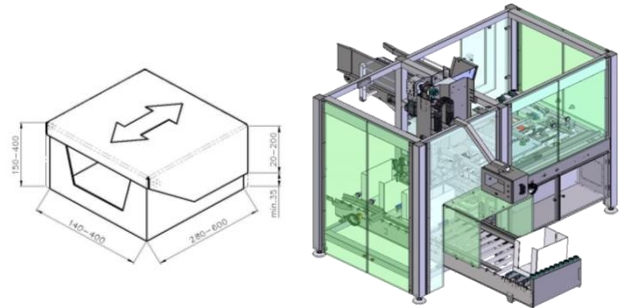
Customer	: Biscuit / Wafer producer
Machine	: CPA II with stacking unit and sideload infeed system
Product	: Flowpacks with wafers
Style of case construction	: RSC case, American case
Capacity	: 100 p/m
Controls	: Sigmatek with Allen Bradley HMI
Sightseeing	: week 47



Customer : Distributor of Nuts, Dried Fruits, Spices
Machine : CP III with racetrack collating unit, extra Hood magazine and gantry infeed system
Product : Bags / Pouches / Pillowbags
Style of case construction : Wrap Around, shouldertray, Tray with Hood
Capacity : 180 p/m
Controls : Sigmatek / Allen Bradley
Sightseeing : week 49



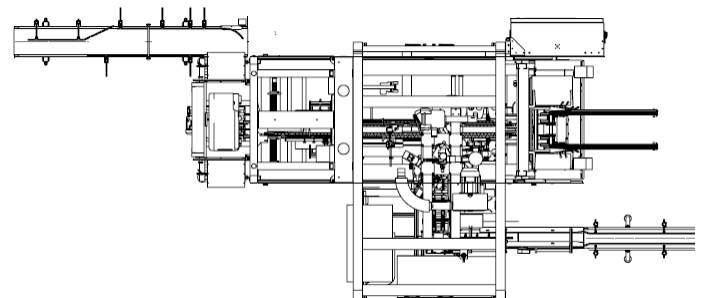
Customer : Confectionary producer
Machine : Lid applicator
Product : Open filled Box
Style of case construction : Lid, glued FEFCO 0453
Capacity : 15 boxes p/m
Controls : Sigmatek
Sightseeing : Week 50



Customer : Rice Wafer producer
Machine : CP III Wrap Around Casepacker with Delta Robot (BluePrint) infeed (from flat laying to stand up) of product into case
Product : Roll's filled with rice wafers
Style of case construction : Wrap around en Tray
Capacity : 80 p/m
Controls : Sigmatek
Sightseeing : Week 2, 2017



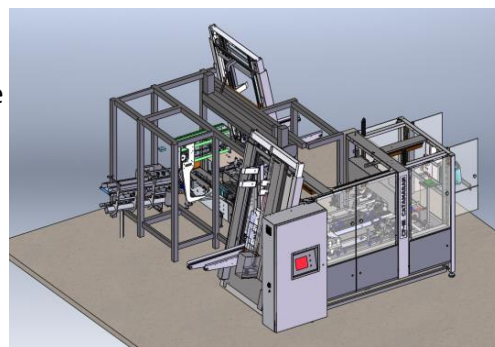
Customer : Rice Wafer producer
Machine : CP III Wrap Around Casepacker with Delta Robot (BluePrint) infeed of product
Product : Flowpacks with Rice wafers
Style of case construction : Wrap around
Capacity : 50 - 140 flowpacks / m
Controls : Sigmatek
Sightseeing : Week 4, 2017



Kartonneermachines en casepackers
 Cartoning machines and casepackers
 Kartoniermaschinen und Casepacker
 Machines d'encartonneuses et encaisseuses



Customer : Cheese producer
Machine : CP III Casepacker with extra Magazine for Hood/Lid. Complete with compose/shape unit infeed systems
Product : Flowpacks with cheese
Style of case construction : Wrap around case, Tray with lid
Capacity : 120 p/m
Controls : Sigmatek
Sightseeing : Week 4, 2017



Customer : Producer of liquid sugar products
Machine : CP III Wrap Around Casepacker
Product : Plastic bottles
Style of case construction : Wrap around and Tray
Capacity : 150 p/m, 25 Cases/minute
Controls : Allen Bradley
Sightseeing : Week 8, 2017

